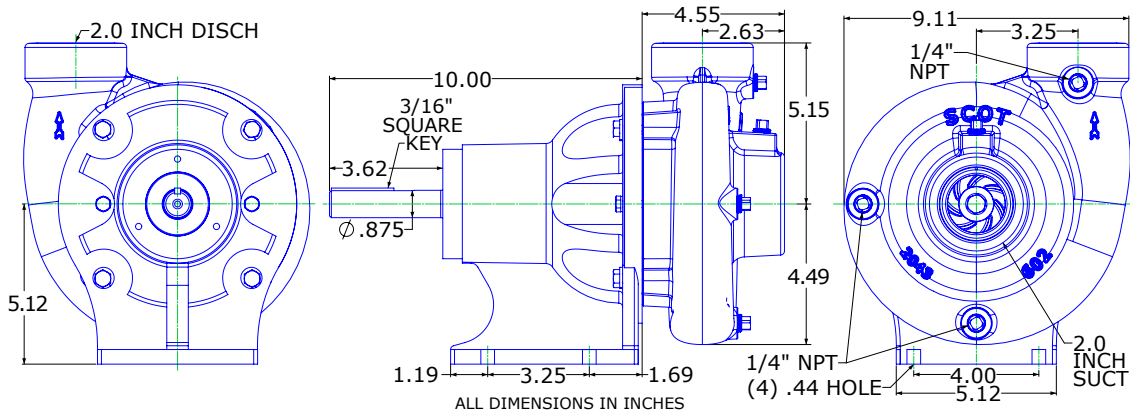
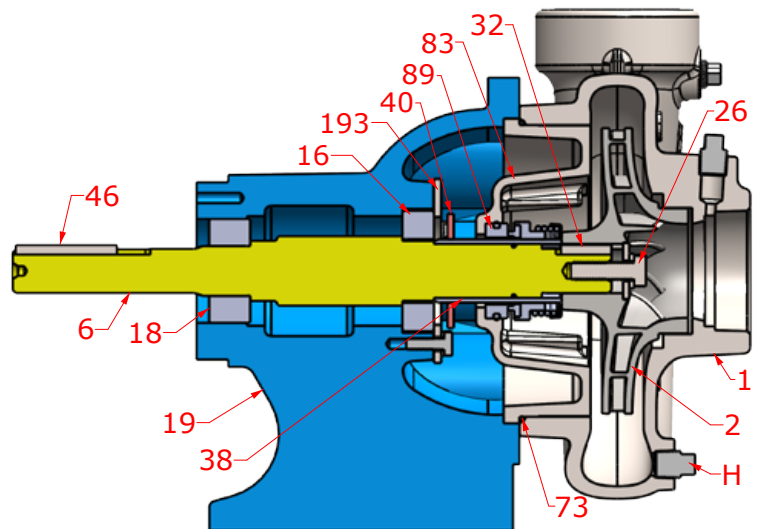


Specifications

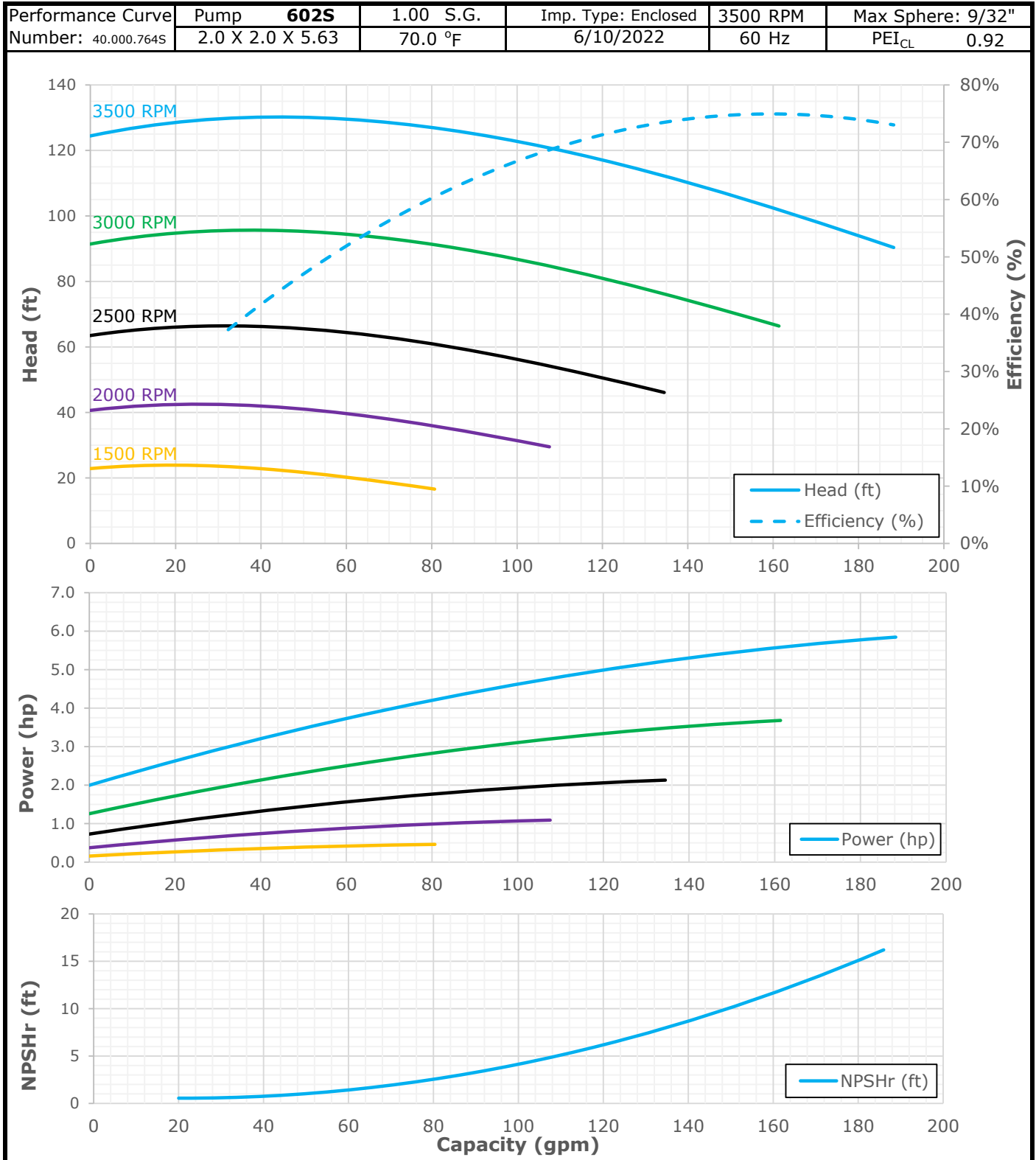
- Cast 316 construction
- All wetted parts are 316SS
- Mechanical Seals:
 - Standard: Viton-Carbon head/Ceramic seat
 - Optional: Viton-Silicon Carbide head/Silicon Carbide seat
- Replaceable stainless steel shaft sleeve
- Impeller keyed to shaft and secured by a stainless steel retaining assembly
- All wetted parts are 316 stainless steel
- Bearing Frame:
 - Cast iron frame
 - Double-sealed ball bearings
 - Stainless steel shaft
 - Milled base for positive alignment



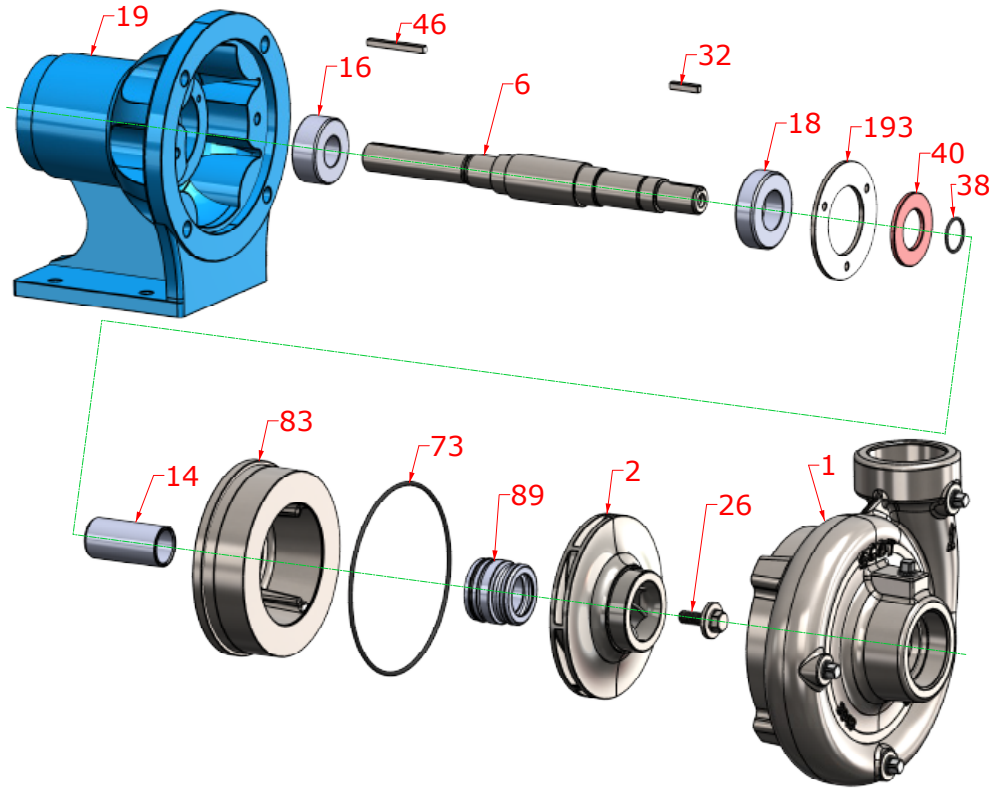
Key	Part Name	Stainless
1	Case	316SS
2	Impeller	316SS
6	Shaft, Assembly	316SS
14	Shaft Sleeve	316SS
19	Frame	Iron
26	Impeller Retainer	316SS
32	Key	316SS
38	O-ring, Shaft	Viton
40	Flinger	Rubber
46	Key	Stainless
73	Gasket, Case	Viton
83	Backplate	316SS
89	Mechanical Seal, Type 21 VN-CARB/CM	Standard
193	Retainer	Steel



Performance Curve



Parts



Key	Part Name	Part Number
1	Case 602S, 316SS, 3.0 X 3.0 NPT, Stl plugs	3301127X
2	Impeller 602S, 316SS Specify Dia., 5.63 Max, 7/8" Key	3301136
14*	Shaft sleeve, 316SS	3301317
26*	Impeller retaining assembly, 316SS	3301380
38*	O-ring, Shaft, Viton	116.000.193
40*	Flinger, Rubber	104.000.107
73*	Gasket, Case, Viton	116.000.150
83	Backplate, 316SS, 1-1/4" Seal	3301318
89*	Seal, 1-1/4" Type 21, VN-CARB/CM	101.000.194A
	Seal, 1-1/4" Type 21, VN-SIL/SIL	101.000.203A
	Bearing Frame Ass'y Consisting of:	F1180443 118.000.443X
6+	Shaft ass'y, 316SS, 7/8" Straight, Includes keys	135.000.203X
16	Bearing, Double sealed, #206	103.000.146
18	Bearing, Double sealed, #205 Double wide	103.000.150
19	Pedestal, Iron	132.000.237
32*+	Key, Stainless	102.000.218
46+	Key, Steel	102.000.130
193	Retainer, Bearing, Steel	110.000.244
KIT	Repair kit, 1-1/4" VN-CARB/CM, 316SS	3301370
	Repair kit, 1-1/4" VN-SIL/SIL, 316SS	3301372

* Denotes components included in repair kit

+ Denotes components included with shaft assembly